

555 Adjustable Door Holdback

Features

- This tough, adjustable door holder was specially designed for use on all types of enclosures using hinged or sliding doors
- The unique design includes a brass screw which allows delicate adjustment for the force required to hold even the heaviest door or panel

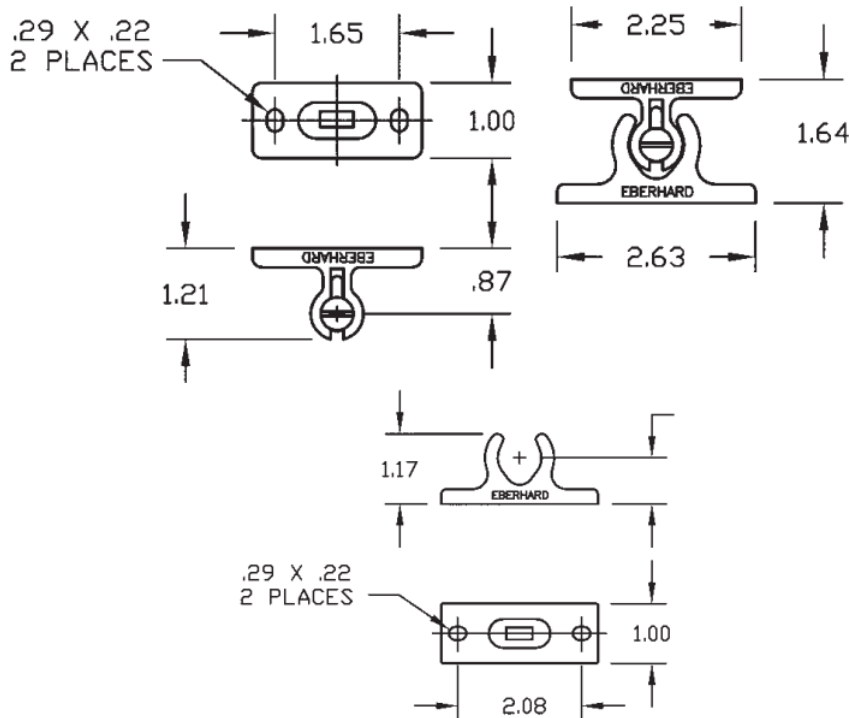


Material

- Nylon, natural or black finish

Notes

- Force to engage: 29 - 59 lbs
- Force to disengage: 18 - 44 lbs
- Recommended operating temperature range: -10°C to +50°C
- Melting temperature: 260°C



Part No.	Colour
1-555-2-01	Natural
3-555-4-MB	Black

Dimensions in inches